

DATA SHEET

12 V 200 Ah - CAN bus



CHARGE SPECIFICATIONS

Charge Voltage	14.4 V to 14.8 V
Charge Method	CC-CV
Recommended Charge Current	100 A
Maximum Charge Current	200 A
BMS Charge Cutoff Voltage	15.6 V
Recommended Float Voltage	13.8 V

DISCHARGE SPECIFICATIONS

Continuous Discharge Current	200 A
BMS Discharge Cutoff Voltage	8 V
Reconnect Voltage	9.2 V
Pulse Discharge Current	1800 A
Max. Discharge Current	430A (<3 seconds)
Short Circuit Protection	200 to 600 μ s

COMPLIANCE SPECIFICATIONS

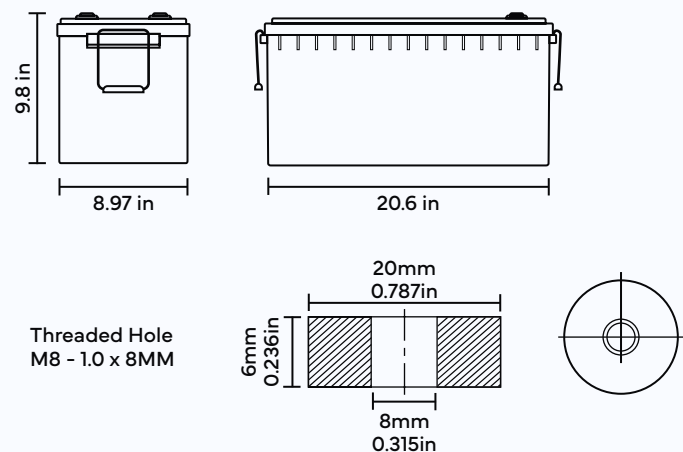
Certifications	CE UL 1973 IEC62133 & CB IEC62619 BIS
Shipping Classification	UN3480 Class 9 UN38.3 MSDS

BATTERY RECYCLE



NOTE: Do not mix with sealed lead-acid batteries when recycling. Refer to the Grand Teton user manual for proper operation.

BATTERY DIMENSIONS



GENERAL SPECIFICATIONS

Model	GT12V200-LTCAN-A20
Chemistry	LiFePO4
Nominal Voltage	12.8 V
Nominal Capacity	200 Ah
Nominal Energy	2560 Wh
Cycle Life	> 4000 cycles @ 100% DOD

MECHANICAL SPECIFICATIONS

Dimensions (L x W x H)	20.6 in x 8.97 in x 9.8 in
Weight	45.76 lb
Casing Material	ABS, UL-94 V-0
Terminal Type	M8
Enclosure Protection	IP56

TEMPERATURE SPECIFICATIONS

Charge Temperature	0 °C to 45 °C (32 °F to 113 °F)
Discharge Temperature	-30 °C to 60 °C (-22 °F to 140 °F)
Storage Temperature	-40 °C to 60 °C (-40 °F to 140 °F)
BMS High Temperature Cutoff	80 °C (176 °F)

OTHER SPECIFICATIONS

Self-Discharge	2% per month
Efficiency	99%
Resistance	≤ 10 m Ω
Bluetooth App	Yes
CAN bus Communication	Yes

GRAND TETON ENERGY SYSTEMS Manufactured and distributed by Grand Teton Energy Systems.

Performance may vary depending on application. All specifications and operating conditions are subject to change without notice. This data is provided for evaluation purposes only and does not imply any warranty or guarantee. Grand Teton Energy Systems. All rights reserved.

Version 003 - Revised 03-16-2026

DATA SHEET

12.8V 200Ah - GT12V200-LTCAN-A20

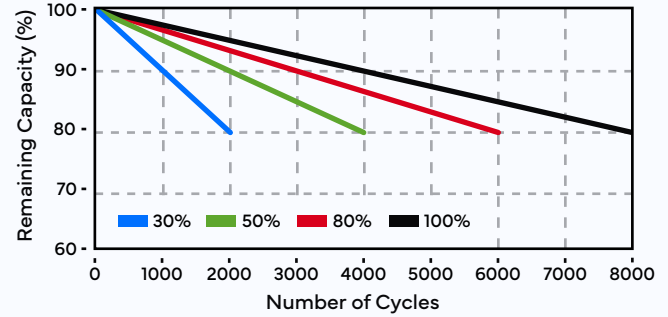


BATTERY APPLICATIONS

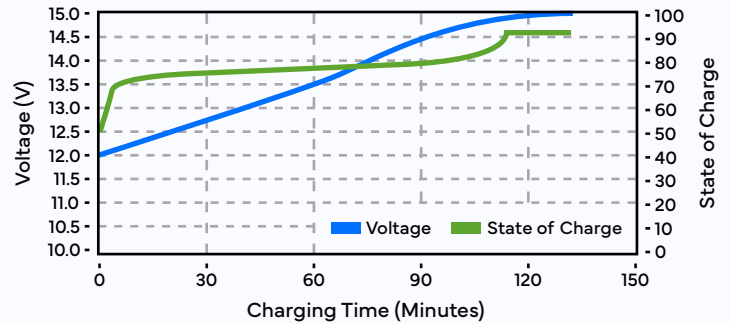
- ⚡ Touring Cars
- ⚡ Electric Ships
- ⚡ Floor Cleaning Machines
- ⚡ UPS Backup Power Supply
- ⚡ Outdoor Monitoring Equipment
- ⚡ Solar Energy Storage Equipment



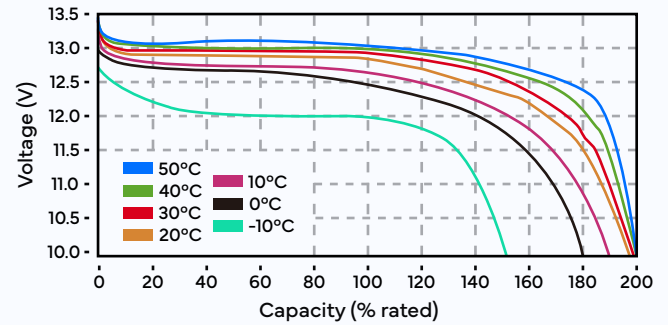
PERFORMANCE CHARACTERISTICS



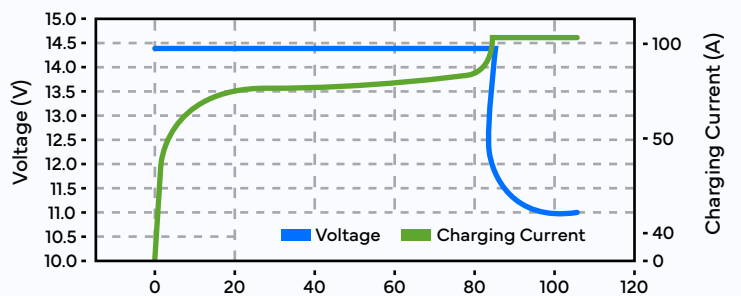
**Cycle Life vs. Depth of Discharge (DOD)
Discharge @ 1C, 25 °C**



State of Charge Curve @ 1C, 25 °C



**Discharge Capacity at Various Temperatures
Discharge @ 1C, 25 °C**



Charging Characteristics @ 1C, 25 °C