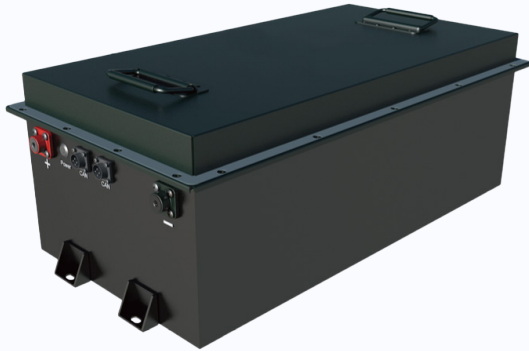


DATA SHEET

51 V 150 Ah



CHARGE SPECIFICATIONS

Charge Mode	CC-CV
Recommended Charge Current	75 A
Maximum Charge Current	150 A
Absorb Voltage	56 V to 57.6 V
Charge Efficiency	99%

DISCHARGE SPECIFICATIONS

Discharge Current	350 A for 3 s
Continuous Discharge Current	150 A
Discharge Cutoff Voltage	40 V
Peak Instant Discharge Current	500 A
Recommended Low Voltage Disconnect	48 V

COMPLIANCE SPECIFICATIONS

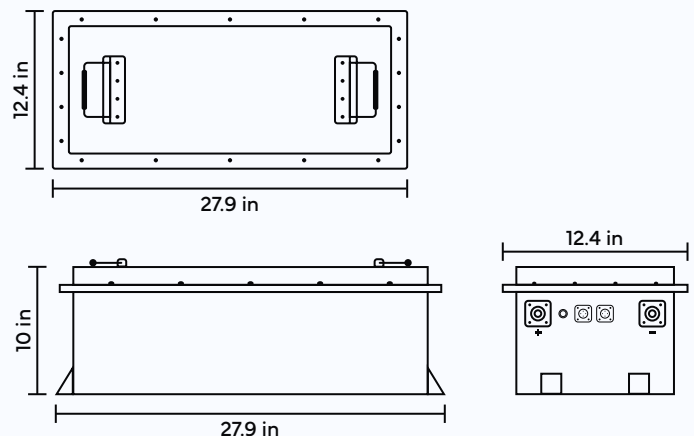
Certification (Battery Pack)	CE UN38.3
Shipping Classification	UN3480 Class 9

BATTERY RECYCLE



NOTE: Do not mix with sealed lead-acid batteries when recycling. Refer to the Grand Teton user manual for proper operation.

BATTERY DIMENSIONS



GENERAL SPECIFICATIONS

Model	GT51V150-GC-A20
Chemistry	LiFePO4
Nominal Voltage	51.2 V
Nominal Capacity	150 Ah
Nominal Energy	7680 Wh
Cycle Life	6000 Cycles

MECHANICAL SPECIFICATIONS

Dimensions (L x W x H)	27.9 in x 12.4 in x 10 in
Weight	176 lb
IP Rating	IP67

TEMPERATURE SPECIFICATIONS

Charge Temperature	0 °C to 55 °C
Discharge Temperature	-20 °C to 60 °C
Environmental Operating Temperature	-30 °C to 50 °C
Avoid Charging	< 0°C

OTHER SPECIFICATIONS

Bluetooth App	Yes
Communication	RS485 & CAN

Manufactured and distributed by Grand Teton Energy Systems.

Performance may vary depending on application. All specifications and operating conditions are subject to change without notice. This data is provided for evaluation purposes only and does not imply any warranty or guarantee. Grand Teton Energy Systems. All rights reserved.

Version 003 - Revised 03-03-2026