

DATA SHEET

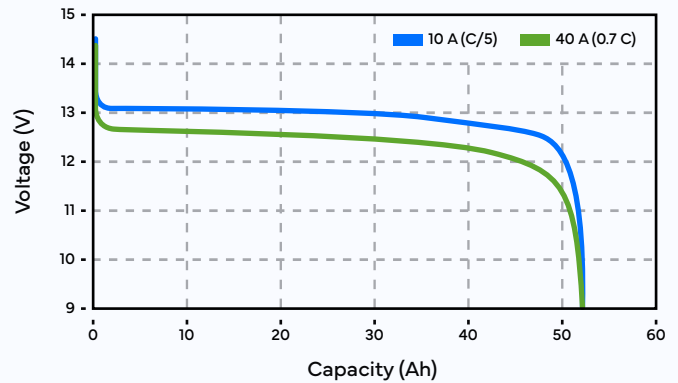
12 V U1-1



CONSTANT CURRENT TIME PROFILE @ 25 °C

C/20 (2.6 A)	20 hrs
C/5 (10 A)	5.2 hrs
C/2 (25 A)	125 min
0.7 C (40 A)	78 min

DISCHARGE RATES @ 25 °C



GENERAL SPECIFICATIONS

Model	K2B12VU1-1
Average Operating Voltage @ C/5	12.8 V
Nominal Capacity @ C/5	51.8 Ah

MECHANICAL SPECIFICATIONS

Dimension (L x W x H)	7.8 in x 5.2 in x 6.8 in
Weight	12.5 lbs
Protection Control Module*	

TEMPERATURE SPECIFICATIONS

High Operating Temp	60 °C
Low Operating Temp	-20 °C

OTHER SPECIFICATIONS

Parallel/Series Connection	14 Parallel / 4 Series
----------------------------	------------------------

CHARGE SPECIFICATIONS

Charge Current	≤ 26 A
Charge Cutoff Voltage	14.6 V

DISCHARGE SPECIFICATIONS

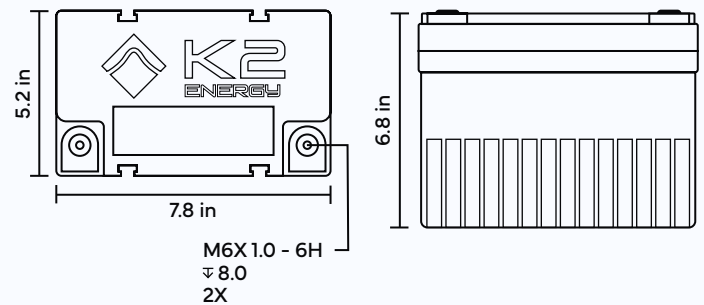
Continuous Discharge	≤ 35 A
Discharge Voltage Cutoff	10.0 V
Pulse Discharge ≤ 30 seconds	≤ 40 A

BATTERY RECYCLE



NOTE: Do not mix with sealed lead-acid batteries when recycling. Refer to the Grand Teton user manual for proper operation.

BATTERY DIMENSIONS



Manufactured and distributed by Grand Teton Energy Systems.

Performance may vary depending on application. All specifications and operating conditions are subject to change without notice. This data is provided for evaluation purposes only and does not imply any warranty or guarantee. Grand Teton Energy Systems all rights reserved.

Version 005 - Revised 03-19-2026